

DATE : \_\_\_\_\_  
TYPE : \_\_\_\_\_  
PROJECT : \_\_\_\_\_  
APPROVE BY : \_\_\_\_\_  
SALE : THANASETH 0819289942

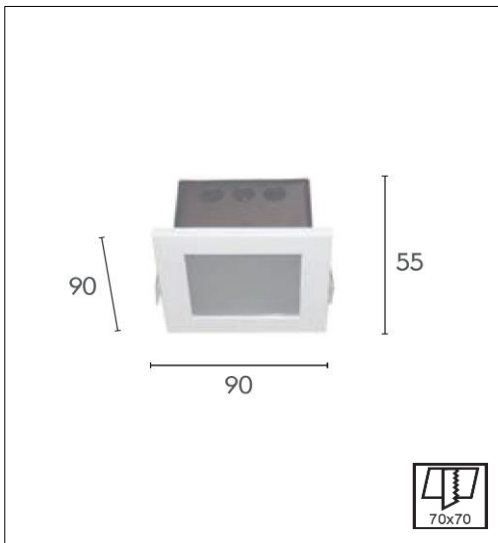


PRODUCT IMAGE



PRODUCT NAME : MULTIPLE RECESSED DOWNLIGHT  
BRAND : LIGHTTRIO  
ITEM CODE : LEO-20010-G  
MATERIAL : STEEL SHEET+GLASS COVER  
COLOR : WHITE  
LAMP TYPE : LED  
HOLDER : GU5.3  
WATT : 5W  
LUMEN : 370lm.  
KELVIN : 2,700K  
CEILING HIGH : 3m.  
DIMMABLE : NO  
WARRANTY : 2 YEARS  
IP : 20

DIMENSION



REMARK :

Application

