

DATE : \_\_\_\_\_  
TYPE : \_\_\_\_\_  
PROJECT : \_\_\_\_\_  
APPROVE BY : \_\_\_\_\_  
SALE : THANASETH 0819289942

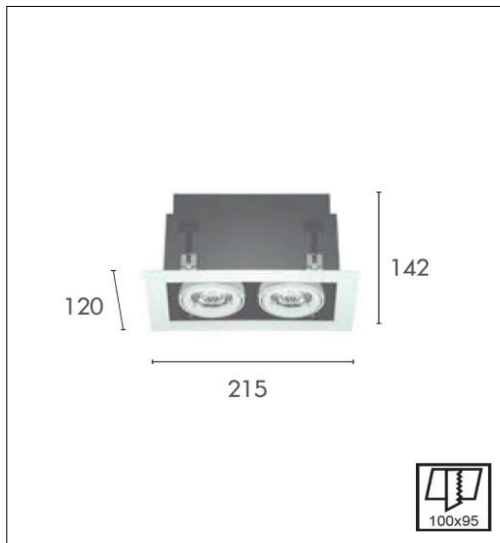


PRODUCT IMAGE



PRODUCT NAME : MULTIPLE RECESSED DOWNLIGHT  
BRAND : LIGHTTRIO  
ITEM CODE : LEO-1203  
MATERIAL : STEEL SHEET  
COLOR : WHITE TRIM  
LAMP TYPE : LED 220V  
HOLDER : GU10  
WATT : 2x6W  
LUMEN : 2x470lm.  
KELVIN : 4,000K  
CEILING HIGH : 3m.  
DIMMABLE : NO  
WARRANTY : 2 YEARS  
IP : 20

DIMENSION



REMARK :

Application

