

DATE : _____
 TYPE : _____
 PROJECT : _____
 APPROVE BY: _____
 SALE : THANASETH 0819289942

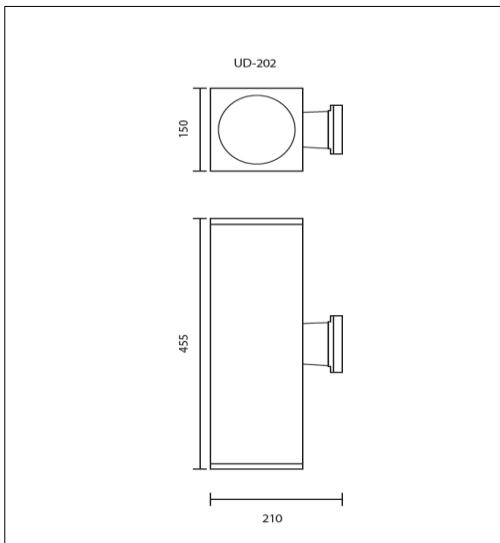


PRODUCT IMAGE



PRODUCT NAME : WALLMOUNT OUTDOOR
 BRAND : LIGHTTRIO
 ITEM CODE : UD-202/BK
 MATERIAL : ALUMINIUM WITH TEMPERED GLASS
 COLOR : BLACK
 LAMP TYPE : LED
 HOLDER : E27
 WATT : 2x9W
 LUMEN : 2x850lm.
 KELVIN : 3,000K
 CEILING HIGH : -
 DIMMABLE : NO
 WARRANTY : 2 YEARS
 IP : 54

DIMENSION



Application

