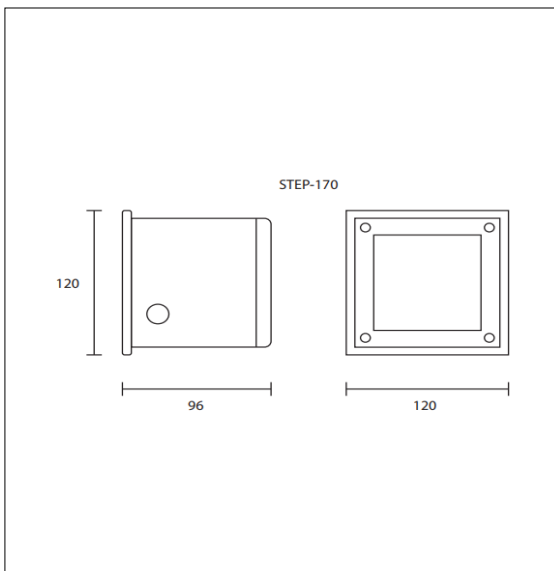


SPECIFICATION FEATURES

PRODUCT NAME	: STEPLIGHT
BRAND	: LIGHTTRIO
ITEM CODE	: STEP-170/BK
MATERIAL	: ALUMINIUM WITH GLASS DIFFUSER
COLOR	: BLACK
LAMP TYPE	: LED 220V
HOLDER	: G9
WATT	: 2.5W
LUMEN	: -
BEAM	: -
KELVIN	: 3,000K
DIMMABLE	: NO
WARRANTY	: 1 year
IP	: 54



Application



Home



Retail



Office



Hotel